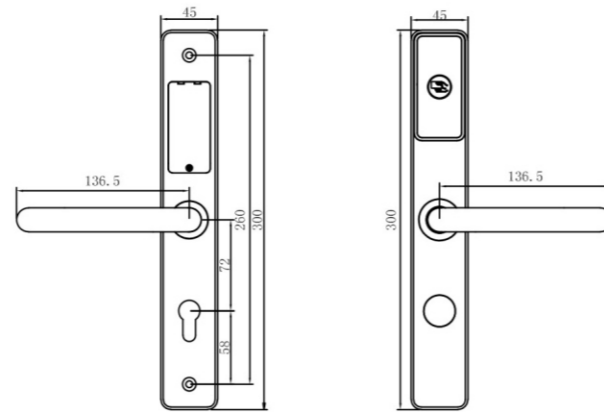


YGS9939 Hotel Electronic lock Series

Electronic lock with RFID technology, with front and back faceplates made of stainless steel No304. Ideal to replace old locks. It covers the holes of many models of locks on the market.



FEATURES

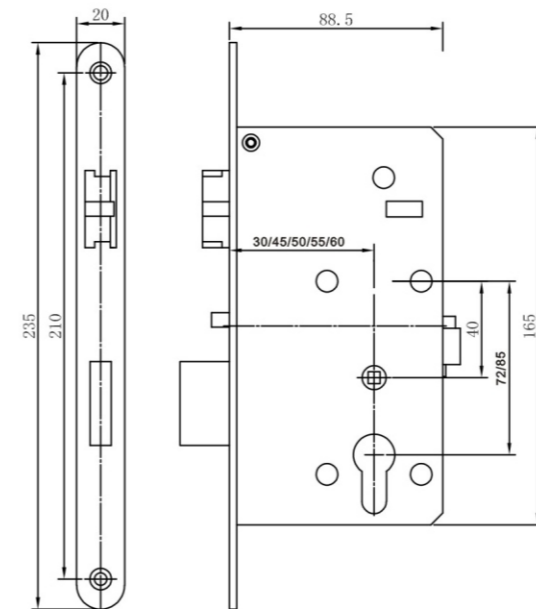
- Escutcheon and handle material are all of No.304 stainless steel plate.
- Patented handle design, reversible for left/right unlocking.
- Distinctive red/green LED shows every lock status.
- Ideal to replace old locks. It covers the brands of many models of locks on the market.
- Audit system with capacity to register up to 1000 events including openings with emergency keys.
- PCB sealed with silicon encapsulated treatment for high humidity environments.
- Software available in several languages. Standalone mode or centralized database.
- Mechanical emergency lock
- EEPROM memory to maintain the information and configuration even if the batteries are removed.
- Uses 4 standard AA batteries.

TECHNICAL PARAMETERS

Material: Stainless steel
 Finish: Stainless steel brushed
 Power supply: 4 AAA alkaline batteries
 Battery life: Over 15000 cycles
 Static current : < 20 uA
 Dynamic current : <150 mA
 Storage temperature : -25- + 58°C
 Storage humidity : 15-90% RH
 Working temperature : -25- + 58°C
 Working humidity : 15-90% RH
 Card reading distance : 0-5cm
 Reading & writing time : <0.25s
 Date keeping : Over 10 years
 Applicable chip : Mifare 1 (13.56Mhz)



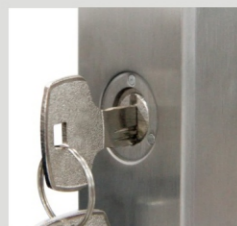
MORTISE



(Unit:mm)



Confirmation indicator light that illuminates when any action is made on the lock.



Emergency mechanical lock hidden behind a flap on the front. This lock allows to open the door without the need of a card in case of emergency. It will be helpful when the computer is broken or the lock in the state of misoperation.

Key-alike type and key-different type are optional.



The black plastic part makes unlocking silently.

The anti-card latch prevents its opening by this technique.



Interior anti-panic latch. It retracts automatically when the door is opened from the inside.