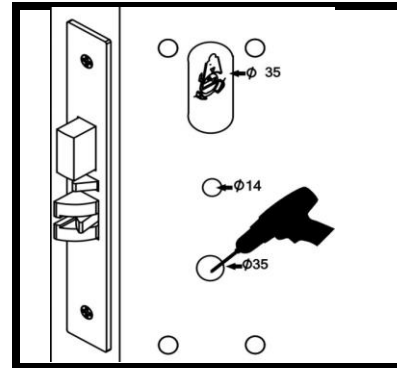
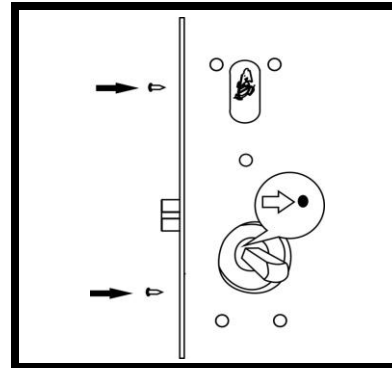


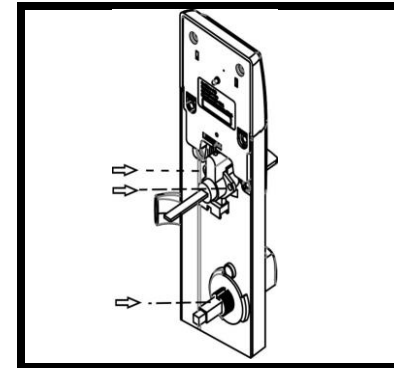
① Place the template on the door. According to the template, mark the holes on the door with a pencil.



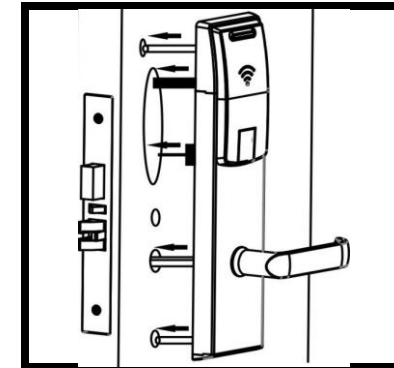
② Take out the mortise before drilling the holes. Drill the door hole with a driller of 14mm for faceplate and 35mm for mortise



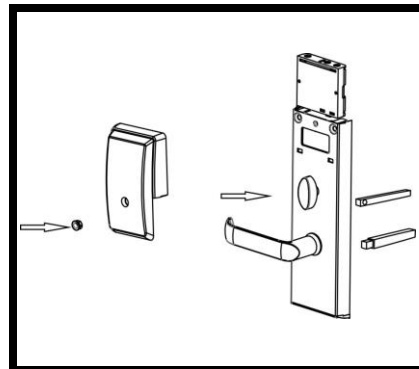
③ Install the mortise, make sure arrow points to the spot and test if the latches can stretch freely



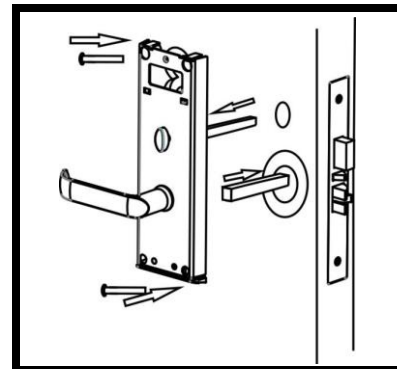
④ Take out the front faceplate. Install the cylinder (with 2 screws) and handle square bar.



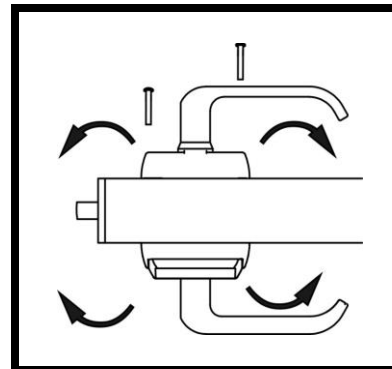
⑤ Insert the handle driving bar into the mortise. Connect faceplate cable with mortise cable and insert the front faceplate.



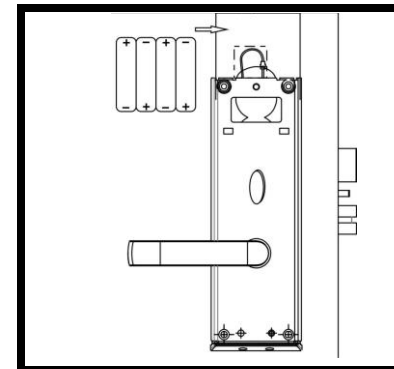
⑥ Insert the small square bar into the deadbolt knob hole, keeping the end with small holes outward. Place the knob down as per following picture.



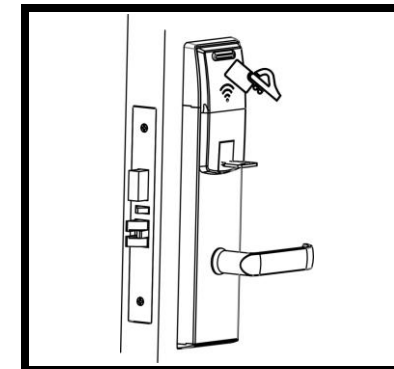
⑦ Be careful to pull the cable through the door hole. Please don't drag hard or apply pressure. Put the back faceplate on door, fix it with 2 screws first.



⑧ Adjust faceplate position to make sure it is straightly and correctly installed, and then fix the other 2 screws.



⑨ Connect the mortise cable with the batteries cable, put all cables above the mortise inside the door, and install the battery box.



⑩ Test the installation by unlocking by inner handle, knob, mechanical key, and reading card.