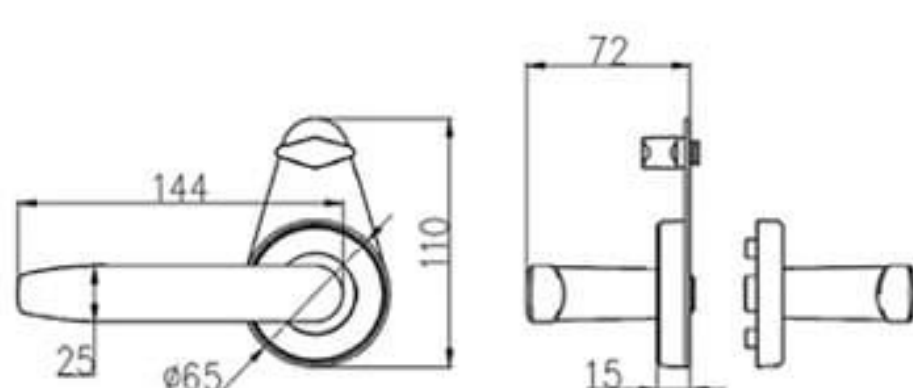




YGS9905 Hotel Electronic lock Series

Hidden reader Hotel lock. Electronic lock with RFID technology, with front and back faceplate made of Zinc alloy. Ideal to replace old locks. This simple design immensely reduce workload and mistake in a degree.



FEATURES

- Electronic lock with Japanese "MABUCHI" motor durable for over 500,000 cycles.
- ANSI high security bolt with 3-point latch with anti-friction and anti-card mechanism in stainless steel.
- Anti-manipulation handle with free rotation, avoid forcing the opening lever.
- Ideal to replace old locks. It covers the brands of many models of locks on the market.
- Audit system with capacity to register up to 1000 events including openings with emergency keys.
- PCB sealed with silicon encapsulated treatment for high humidity environments.
- Software available in several languages. Standalone mode or centralized database.
- Mechanical emergency lock
- EEPROM memory to maintain the information and configuration even if the batteries are removed.
- Uses 4 standard AA batteries.

TECHNICAL PARAMETERS

Material: Zinc alloy ;
 Finish: Electroplating + oil sealing
 Power supply: 4 AAA alkaline batteries
 Battery life: Over 15000 times
 Static current : $\leq 40A$
 Dynamic current : $< 150\text{ mA}$
 Storage temperature : $-20 - + 65^{\circ}C$
 Storage humidity : 10-95% RH
 Working temperature : $-25- + 65^{\circ}C$
 Working humidity : 10-95% RH
 Reading & writing time : $< 0.25s$
 Date keeping : Over 10 years
 Applicable chip : Mifare (13.56Mhz)
 Reading & writing way : Non-touched closer induction
 Card reading distance : 0-5cm



Emergency mechanical lock hidden behind a flap on the handle. This lock allows to open the door without the need of a card in case of emergency. It will be helpful when the computer is broken or the lock in the state of misoperation.

Key-alike type and key-different type are optional.



The anti friction latch reduces the contact area.

The anti-card latch prevents its opening by this technique.

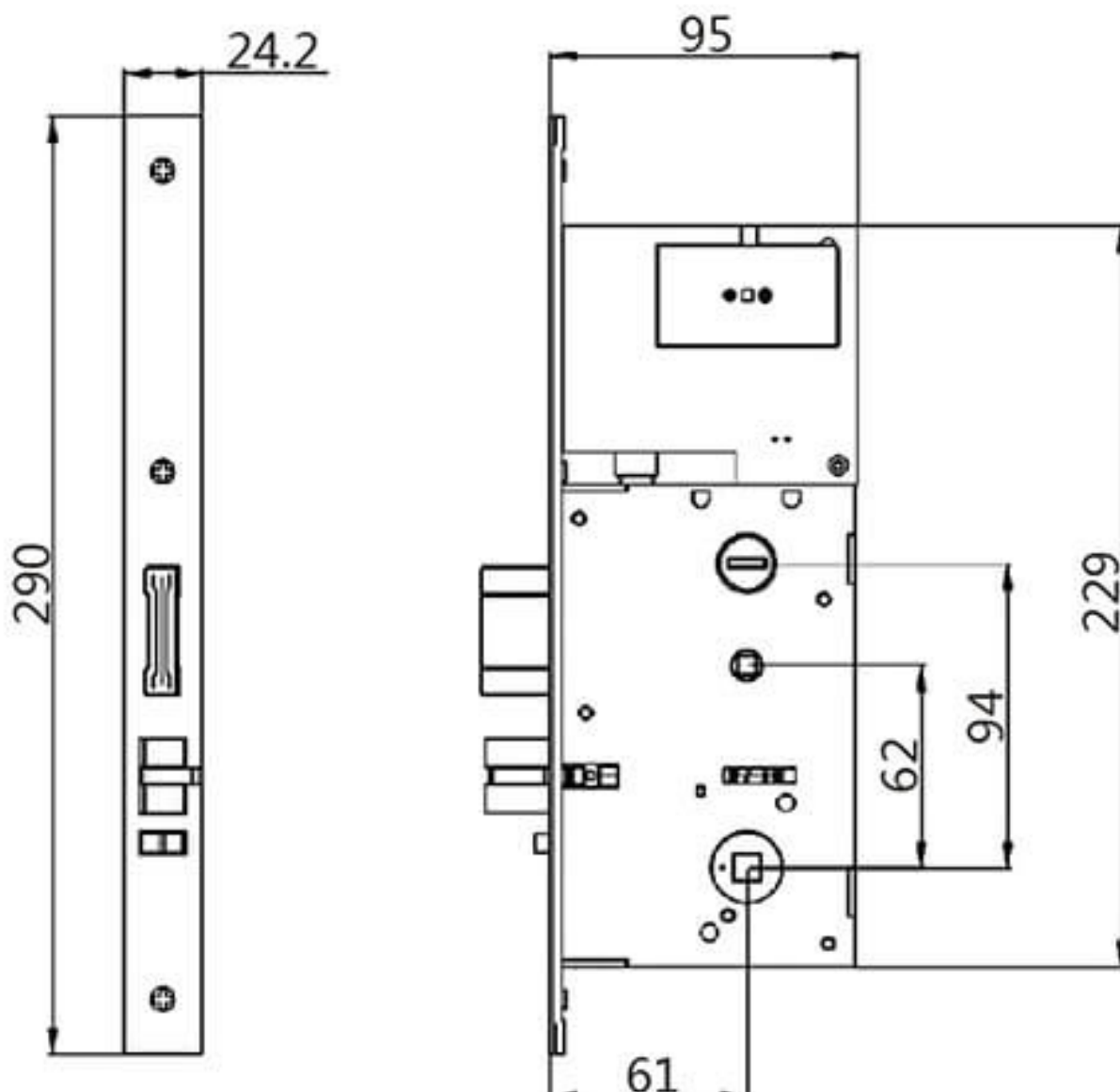
The reader and battery box are installed on the mortise inside, simplify the lock installation.



Interior anti-panic latch. It retracts automatically when the door is opened from the inside.

MORTISE

ANSI Standard



(Unit:mm)