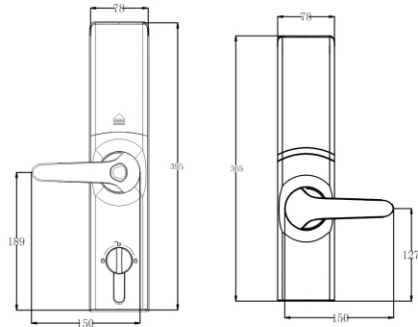




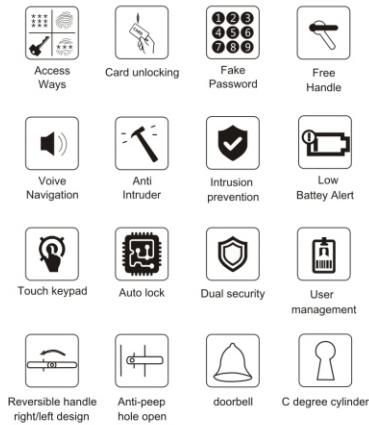
YGS8866 Residential lock series

The lock pioneer brings a new paradigm of automatic sliding cover and arc handle design. With its aesthetic design, this is also the IDA design awards bronze winner 2017.

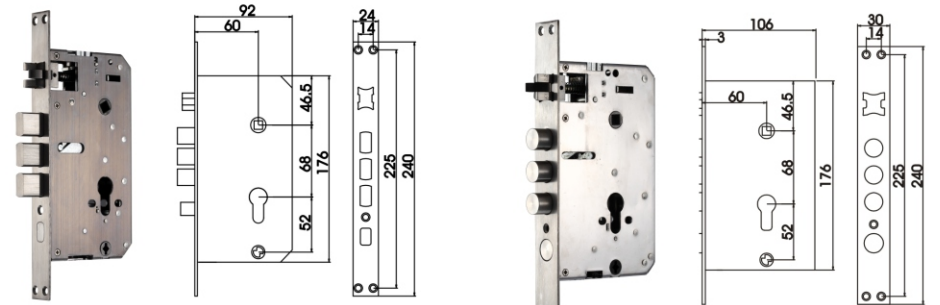


FEATURES

Material	Zinc Alloy, Acrylic
Mortise	Center Distance:68mm;Backset:60mm
Applicated Door Thickness	40~110mm
Power	6V(Alkaline AA battery x4)
Battery Life Time	5000~6000 times
Emergency Power	Micro-USB
Operating Temperature	-15~55°C
Fingerprint Sensor	Semiconductor Sensor
Password	6 Digits
Mechanical key	3 keys



MORTISE

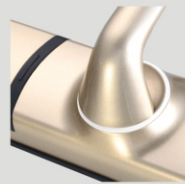


(Unit:mm)



The safe handle protects from any break-in attempts. Even technical unlocking by extending an inner bar to press inner handle is failed.

Users have to press handle button and handle at the same time to unlock.



LED fancy design impresses each user after unlocking for the first time.

And it acts as lock status indicator, reporting each lock operations by different colors.



C grade cylinder protects the lock from technical unlocking for at least 270mins.



2 groups of battery power supply. One for use with over 10000 cycles durability. The other is for back up in case the first group running off.