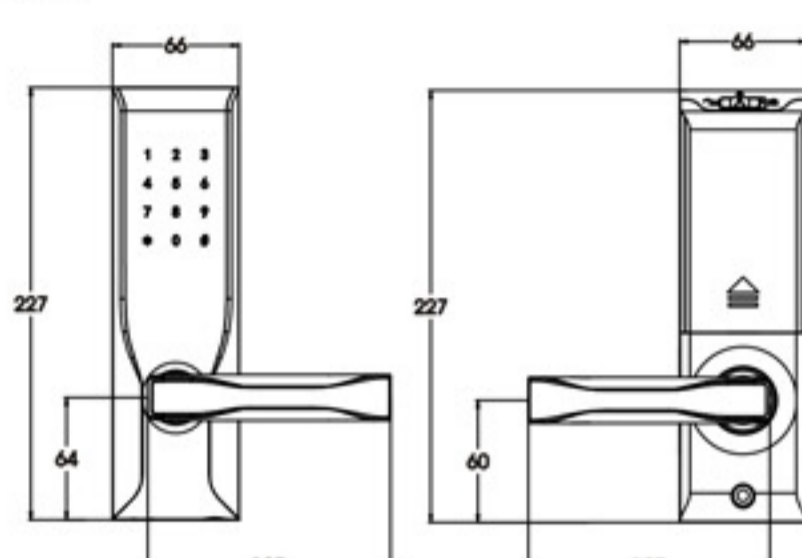




YGS8831M Residential lock series

Digital door lock opened by password or card, with dual latch mortise, tubular latch, and integrated mortise. It is a best choice to upgrade old mechanical door with single latch or deploy your glass door with smart lock solution.



FEATURES

Material	Zinc Alloy,Acrylic
Mortise	50/50 mortise or tubular latch
Applicated Door Thickness	28~110mm
Power	6V(Alkaline AA battery x4)
Battery Life Time	5000~6000 times
Emergency Power	Micro-USB
Operating Temperature	-15~55°C
Password	4~8Digits
Mechanical key	2keys
User Capacity	30(PW)or100(CARD)



Password



FRID Card



Touch keypad



Anti Intruder



Fake Password



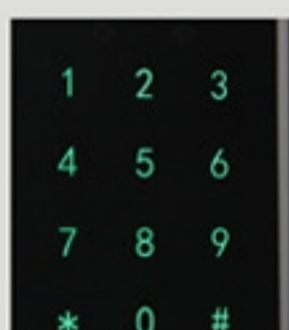
Auto lock



Free Handle



Low Battery Alert



Touch screen keypad lightens your unlocking with the latest technology.

You could make an instant PIN code by adding any figure before or after the valid password to avoid the password being stolen.



The android micro-USB power supply and mechanical key unlocking are always available, to avoid any inconvenience caused by battery runout or wrong electronic operations.



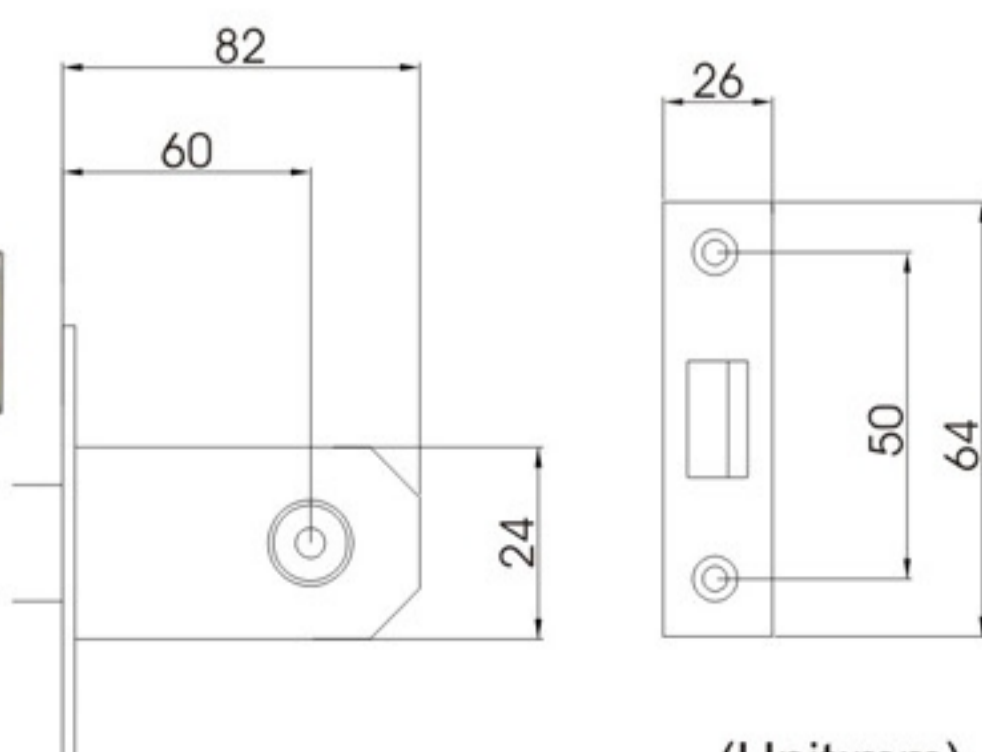
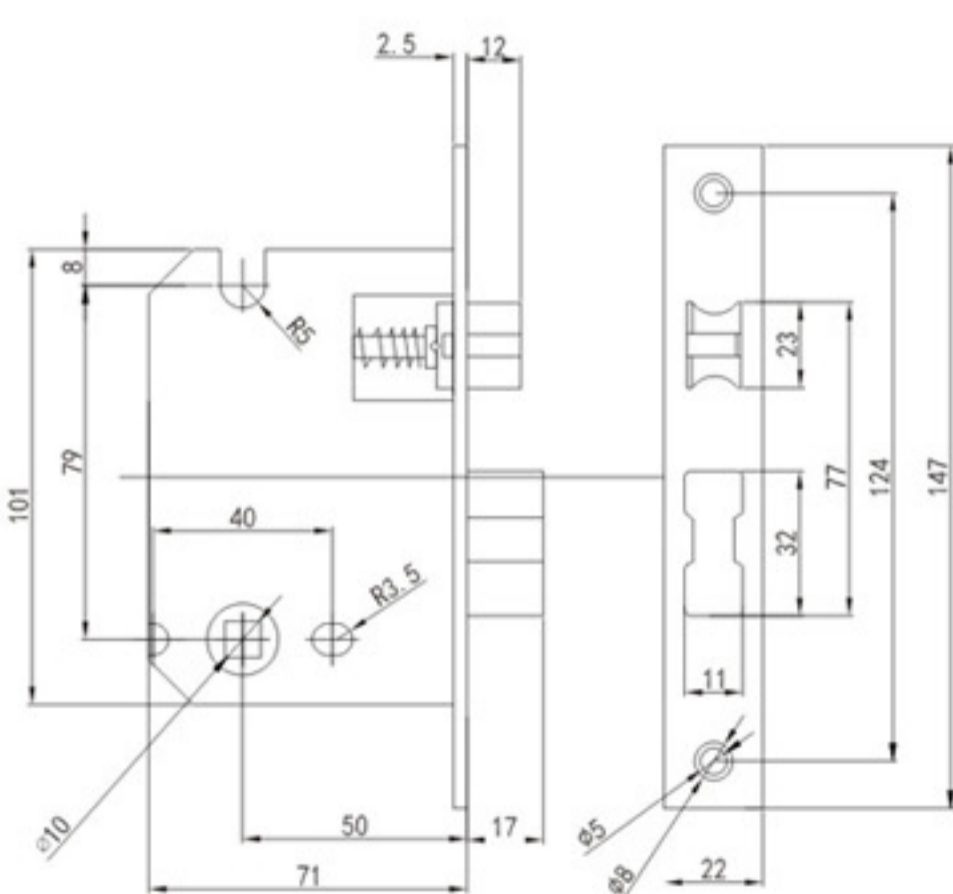
Faceplate rubber mats avoid door lock scratching and movement after installation. And it improves waterproof effect for electronic parts too.



If the battery power is running low, an automatic alert is activated via a red light that is displayed when unlock.

This signal is given months before the battery needs to be replaced.

MORTISE



(Unit:mm)