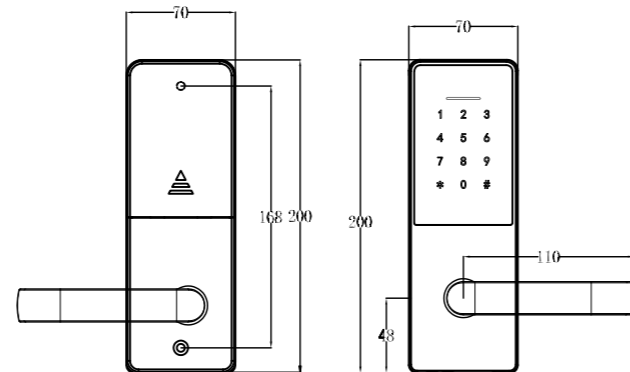




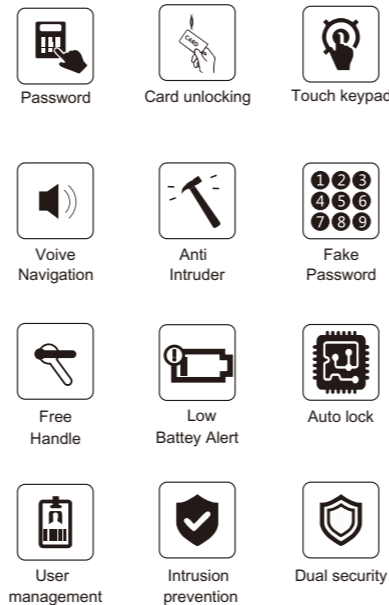
## YGS 6675 Residential lock series

Digital door lock opened by password and card, with dual latch mortise and tubular latch optional. It is a best choice to upgrade old mechanical door with single latch for your office or residential room.

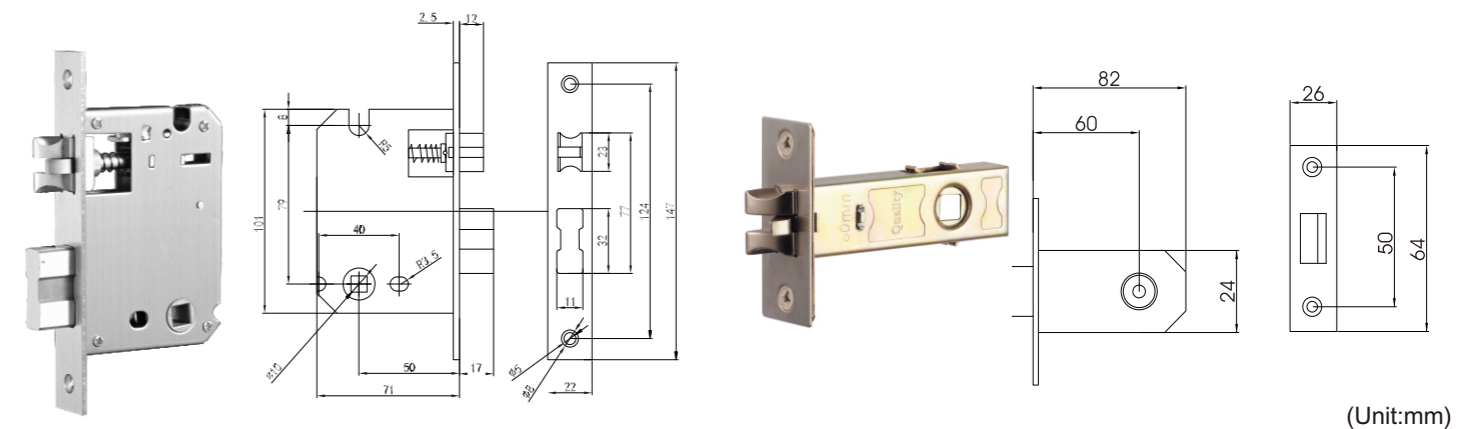


### FEATURES

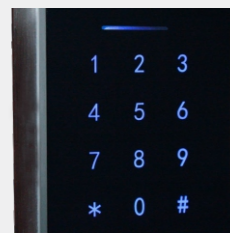
Material	Zinc Alloy,Acrylic
Mortise	50/50 mortise or tubular latch
Applied Door Thickness	28~110mm
Power	6V(Alkaline AA battery x4)
Battery Life Time	5000~6000 times
Emergency Power	Micro-USB
Operating Temperature	-15~55°C
Password	4~8Digits
Mechanical key	2keys
Card	Mifae(13.56MHZ)
User Capacity	30(PW)or100(CARD)



### MORTISE



(Unit:mm)

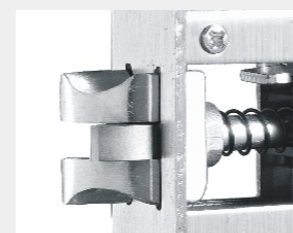


Touch screen keypad lightens your unlocking with the latest technology.

You could make an instant PIN code by adding any figure before or after the valid password to avoid the password being stolen.



The android micro-USB power supply and mechanical key unlocking are always available, to avoid any inconvenience caused by battery runout or wrong electronic operations.



The anti friction latch locks the door automatically when it is closed. The deadbolt extends by lifting handle to increase security level.



If the battery power is running low, an automatic alert is activated via a red light that is displayed when unlock.

This signal is given months before the battery needs to be replaced.