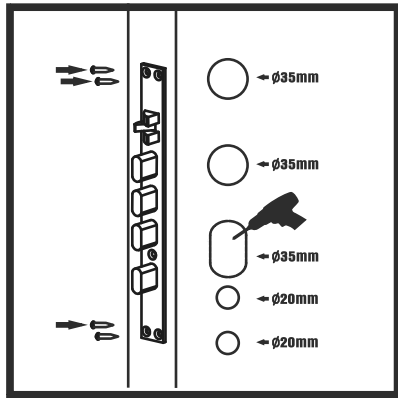
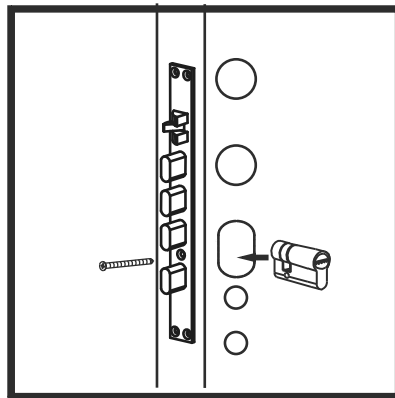


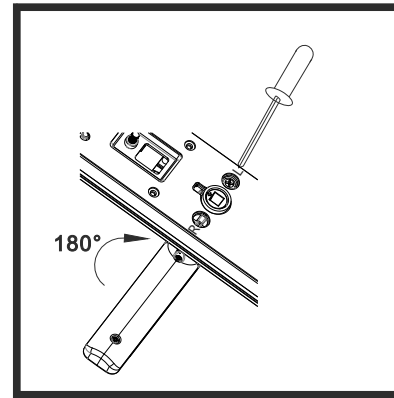
① Place the template on the door, mark the holes on the door with a pencil according to the template.



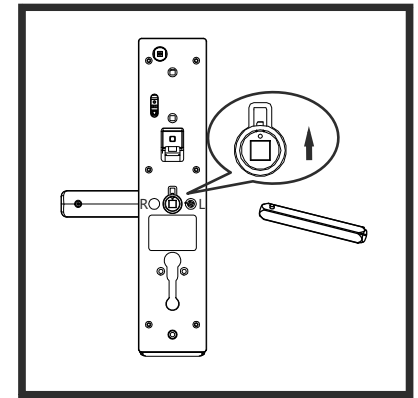
② Drill the holes with drill for faceplate. Install the mortise



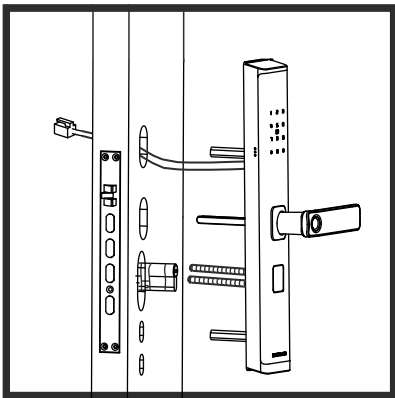
③ Install cylinder and fix the cylinder with screw.



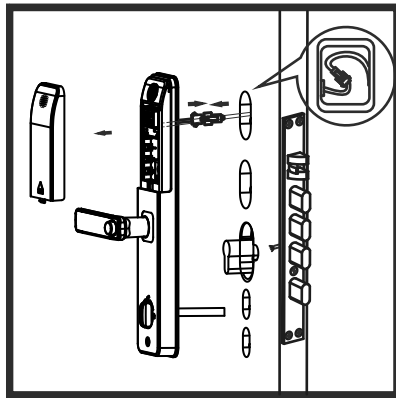
④ Adjust the handle direction according to the door open direction, if change open direction need to loosen the screw to adjust handle 180 degrees then tighten the screw.



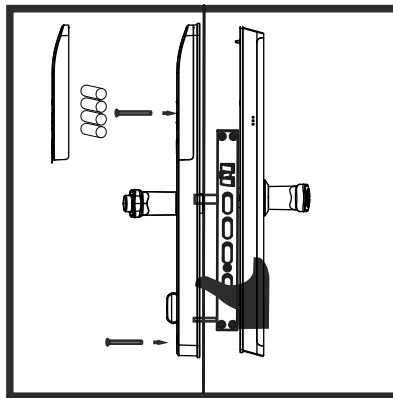
⑤ Insert square bar into front handle, the dot should point to upward side.



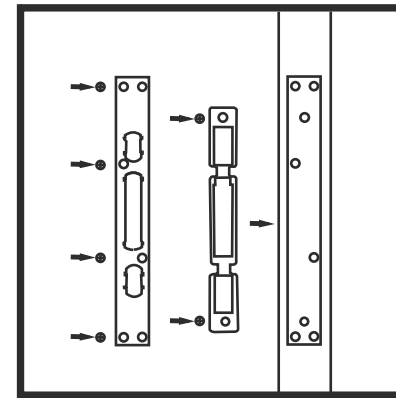
⑥ Tighten the screw sleeve into the front plate. Then install front plate, and drag the cable across the door.



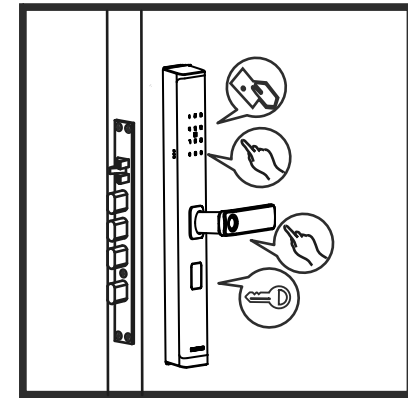
⑦ Install back plate, connect the square bar, the knob insert to the mortise hole and connect cables.



⑧ Fix the front and back plate with two screws. Then put in batteries.



⑨ Install the striker and striking box.



⑩ Test the installation by inner handle, knob, mechanical key, and password, password and fingerprint.