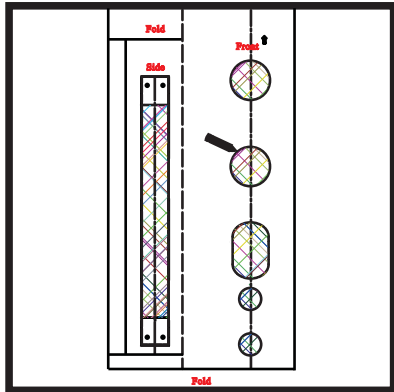
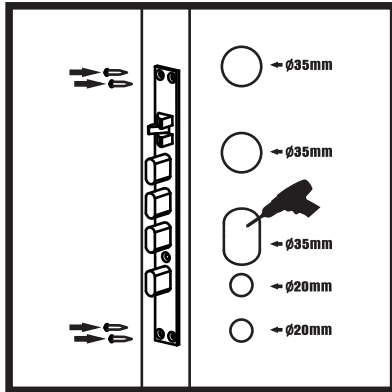


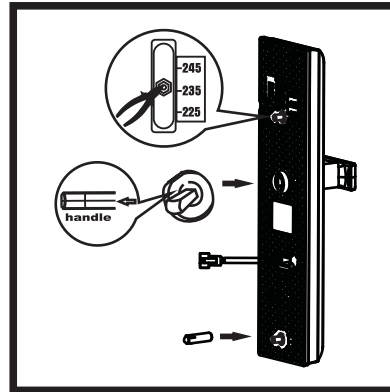
8861 Installation Diagram



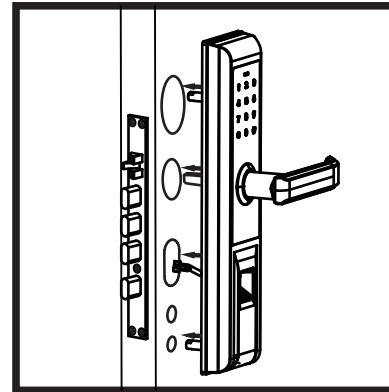
① Place the template on the door. According to the template, mark the holes on the door with a pencil.



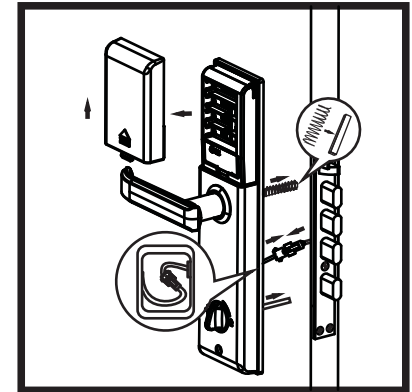
② Take out the mortise before drilling the holes. Drill the door hole with a driller of 20mm and 35mm for mortise. Fix the mortise with screws.



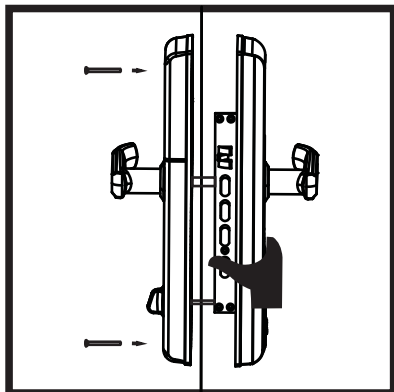
③ Adjust upper screw sleeve according to actual door hole position. Insert square bar into handle hole, make sure arrow points to handle direction.



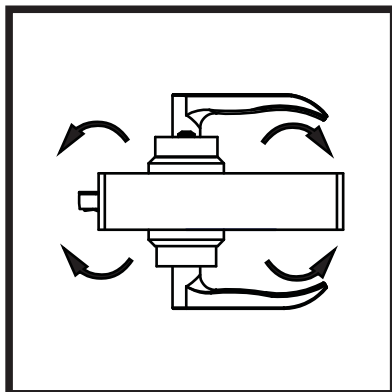
④ Install front faceplate, making sure different parts go into correct holes.



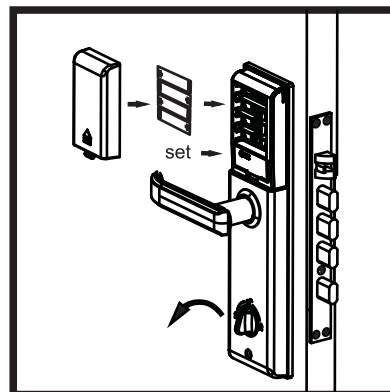
⑤ Install back faceplate, don't forget to put the spring inside the handle and connect cables.



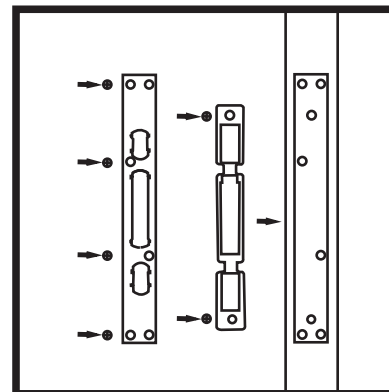
⑥ Use one hand to press front faceplate against the door, fix back faceplate with 2 screws.



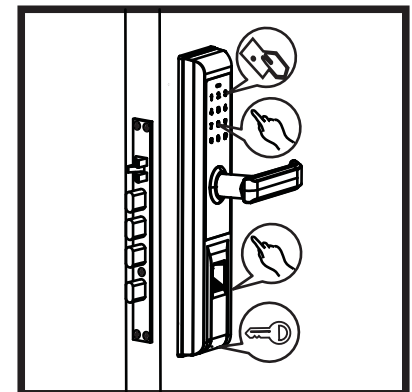
⑦ Adjust face plate position to make sure it is straightly and correctly installed.



⑧ Install the battery box and batteries, test the deadbolt.



⑨ Install the striking box and striker.



⑩ Test the installation by inner handle, knob, mechanical key, fingerprint, password and reading card.